



TOROIDAL TRANSFORMERS

Serbia, Belgrade, 43a Južni Bulevar Street
 Tel/Fax: 2444 9 104, 344 00 72
 +381 11 344 01 95, 344 17 51
 E-mail: office@trafco.rs
 Website: www.trafco.rs

Thank you for purchasing our product.

We have been putting a lot of effort into improving the quality of our transformers, so **BEFORE USE** we kindly ask you to **READ THE FOLLOWING**:

“Mounting, attaching and putting into operation must be performed by a competent authorized person because life threatening voltages are involved!”

PRODUCT LABELLING

The loose end of the PRIMARY winding is always placed ABOVE the label containing the basic information on the transformer, unless specified otherwise.



TRANSFORMER PROTECTION

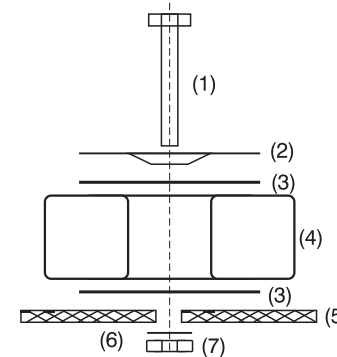
In order to protect the transformer from **short circuits and overloading**, a SLOWACTING (Trage, slow-blow) fuse is used with the primary winding. See the values in the table below. For transformers with the power of over 300VA, it is recommended to attach a “SOFT-START” device (part of our product range). It is a device for limiting high inrush currents at

the moment of attaching the transformer to the network. The transformer is protected from **overheating** (115°C) by an installed temperature fuse in the primary winding.

Selection of fuses according to transformer power (230V in the primary winding)

Power (VA)	Fuse slpw blow (A)	Power (VA)	Fuse slpw blow (A)
20	0,10	500	3,15
30	0,20	600	3,15
50	0,25	800	4,00
80	0,40	1000	6,30
100	0,50	1200	6,30
150	0,80	1500	10,00
200	1,25	2000	10,00
300	1,60	2500	13,00
400	2,00	3000	15,00

MOUNTING DIAGRAM



- 1) Bolt
- 2) Upper metal holder
- 3) Rubber washer
- 4) Transformer
- 5) Surface
- 6) Washer
- 7) Nut

Transformers are designed for internal mounting in a horizontal or vertical position in well-ventilated dry places, away from heat sources (chimneys, light bulbs, heaters etc.), by using the provided installation equipment or by bonding them to the surface with silicone putty. Mounting transformers directly onto wooden beams, wood wall panelling and similar materials should be avoided to prevent fires. If it cannot be avoided, then the transformer must be mounted in a protective metal case with air openings. The transformer can be connected to the dimmer (the device for lighting regulation), but it should not be mounted in the same room because in that case power transformer products will produce an unpleasant buzzing sound. **The transformer is extremely sensitive to mechanical damages!**

WARRANTY PERIOD

The manufacturer guarantees the product is in compliance with the standards JUS.N.H8.010, N.H8.022, N.H8023, IEC 61558-1, CE, ISO 9001:2000 and that the transformer provides the characteristics specified on the label: Primary voltage(s), secondary voltage(s), secondary power (VA), provided that the primary voltage does not vary for more than +/-5% from the value specified as the “primary winding”.

The warranty period starts on the date of receipt and lasts 12 months

NOT COVERED BY WARRANTY

- mechanical damages, ripped out loose end etc.
- damaged markings (label)
- wrong connection to the network
- if the product was opened (removed protective foil)
- unprotected or unsuitable fuse
- fuse blown due to overloading

Note: Transportation costs are covered by the buyer. The manufacturer is not liable for any possible damages on machines, devices, equipment, objects or possible injuries on people, caused by transformer burning out.

For all other information not covered by this instruction manual, we are at your disposal on workdays and Saturdays from 9 am to 4 pm.

Tel/fax: +381 11 244 9 104, 344 00 72, 344 01 95, 344 17 51
 Website: www.trafco.rs E-mail: trafco@sbb.rs